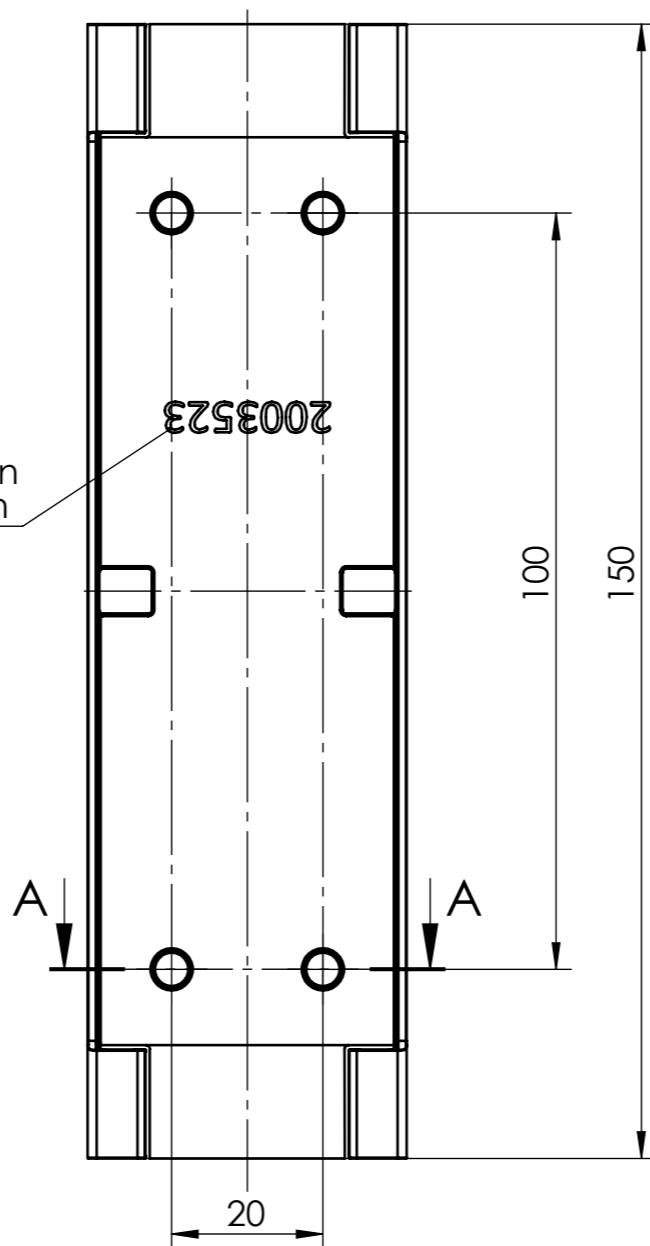


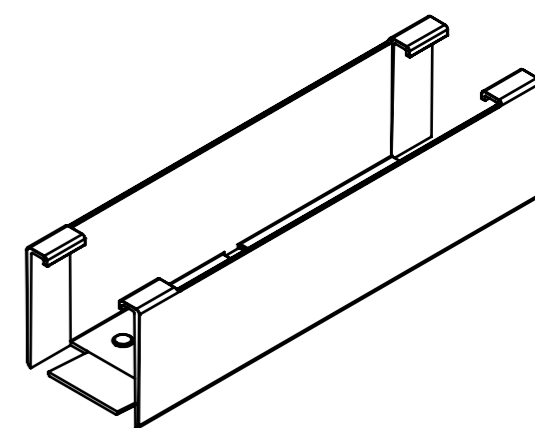
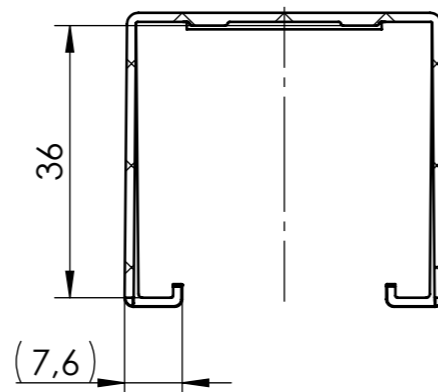
Stempel 0,3mm vertieft

Art.Nr 2003523 von Boden
0,3mm hoch

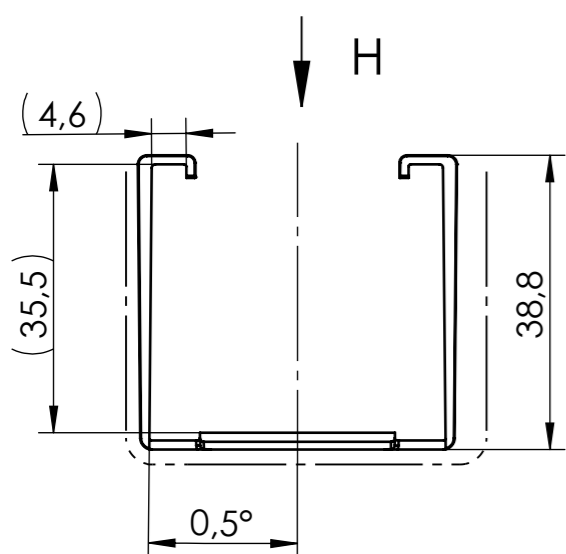
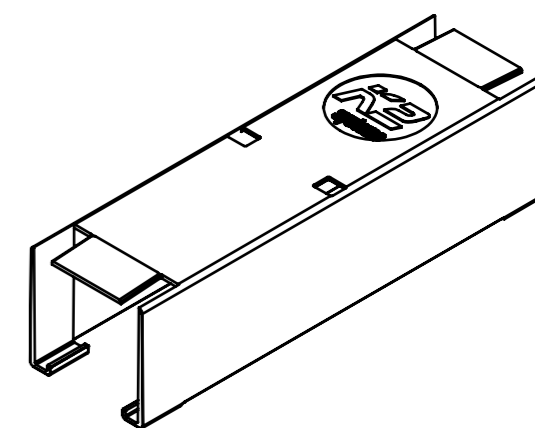
Ansicht H



Schnitt A-A



Isometrie
1:2



--- :Sichtbare Oberfläche



K2 Systems GmbH
Industriestr. 18
71272 Renningen
Germany
+49 7159 42059-0

Designation:		Data sheet Black Cover SingleRail 36	
Item no.:	2003523	A3	
Drawing no.:	04-059-01	All dimensions in mm	
Last change		Sheet 1 of 1	

	Name	Date	Material:
Designed	E. Markou	28.11.2022	PA6 GK30
Approved	K. Mahboobi	18.07.2023	Surface: Surface erodied VDI3400 Ref.No.:36
Last change	E. Markou	07.07.2023	Weight: ca. 28.7 g/pc Scale: 1:1

This drawing is the sole property of K2 Systems GmbH. It is protected by copyright and may only be copied, reproduced or distributed to a third party with explicit permission!